

Assembly Diagram
VK4FR 1220 & 1545 Bolted
Frame
(Welded Frame on reverse side)

1. Assemble and bolt frame together using bolts and plates supplied.
2. Place frame in vehicle with feet in place.
3. Install top and bottom trays into frame to ascertain position of frame near the van wall.
4. Bend top mounting bracket to correct angle to suit your van.
5. Fix top bracket to the top horizontal bar.
6. Drill a pilot hole into the van wall, through the hole in the top bracket then drill an 10.5mm dia. hole.
7. Fix jack nut with bolt into the hole in the top bracket.
8. Push frame against the van wall, and in so doing push jack nuts into the holes in the van wall.
9. Tighten jack nuts.
10. Fix feet to floor of van.

MOUNTING BRACKET
Bend to correct angle and position as shown. Use jack nuts into vehicle

JACK NUTS
Drill 11mm dia holes into vehicle. Use set screws to expand

END CAP

ALTERNATIVE HIGHER POSITION FOR LOWER HORIZONTAL BAR

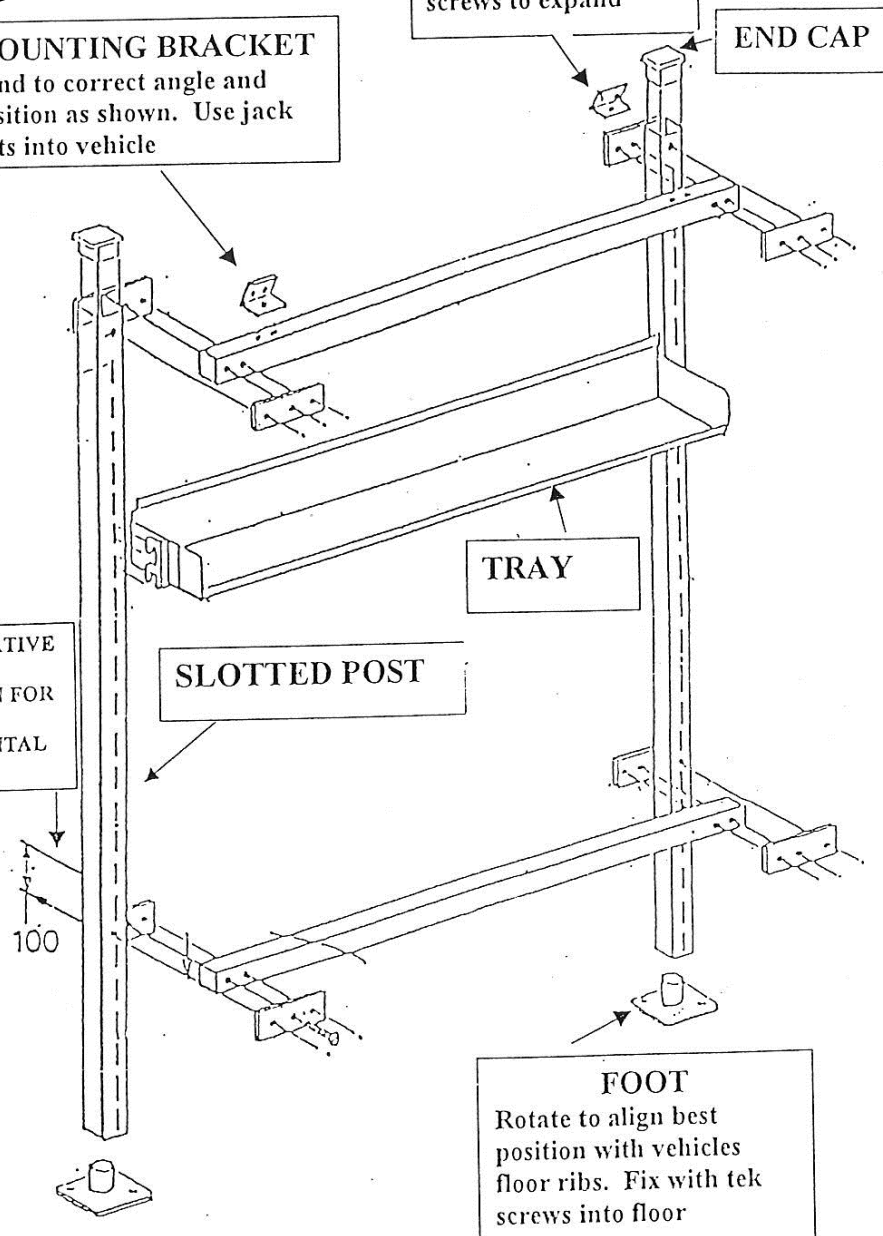
TRAY

SLOTTED POST

BEFORE FIXING FEET
Check sufficient room for trays between frame and van wall

POST HEIGHTS
Will vary according to the type of van. Always shorten post from bottom end if required

FOOT
Rotate to align best position with vehicles floor ribs. Fix with tek screws into floor



Assembly Diagram
VK1FR 1220 &
VK4FR 1120 & 1220
WELDED Frames

1. Place frame in vehicle with feet in place.
2. Install top and bottom trays into frame to ascertain position of frame near the van wall.
3. Bend top mounting bracket to correct angle to suit your van.
4. Fix top bracket to the top horizontal bar.
5. Drill a pilot hole into the van wall, through the hole in the top bracket then drill an 10.5mm dia. hole.
6. Fix jack nut with bolt into the hole in the top bracket.
7. Push frame against the van wall, and in so doing push jack nuts into the holes in the van wall.
8. Tighten jack nuts.
9. Fix feet to floor of van.

MOUNTING BRACKET
 Bend to correct angle and position as shown. Use jack nuts into vehicle

JACK NUTS
 Drill 11mm dia holes into vehicle. Use set screws to expand

END CAP

TRAY

SLOTTED POST

POST HEIGHTS
 Will vary according to the type of van. Always shorten post from bottom end if required

FOOT
 Rotate to align best position with vehicles floor ribs. Fix with tek screws into floor

BEFORE FIXING FEET
 Check sufficient room for trays between frame and van wall

